



# House amplifiers High power amplifiers

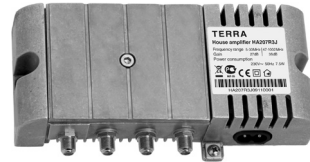
- discrete plug-in SXP-xx type attenuators for gain and slope adjustment
- die-cast housing
- switchable forward path gain
- switchable passive or active return path
- input attenuator for active return path
- test points: input - bi-directional, output - directional

**HA207R3J, HA207R6J**

local powered; with return path 30 MHz and 65 MHz;

**HD207R3J, HD207R6J**

remote powered; with return path 30 MHz and 65 MHz



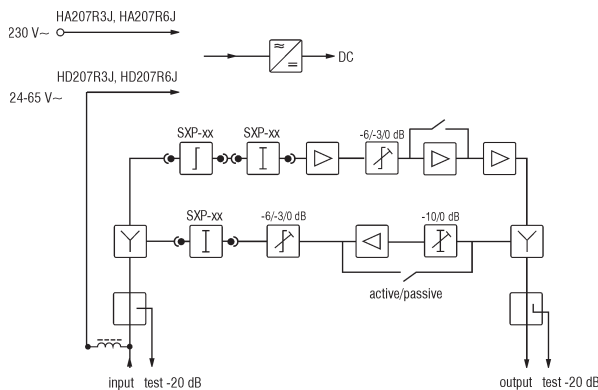
**Technical specifications**

T Y P E	HA207R3J	HA207R6J	HD207R3J	HD207R6J
Ordering number	10568	10569	10570	10571
<b>Forward path</b>				
Frequency range	47- 1002 MHz	87- 1002 MHz	47- 1002 MHz	87- 1002 MHz
Gain, switchable *	27/36 dB			
Gain adjustment by 1 dB step	20 dB			
Slope adjustment by 1 dB step	18 dB			
Interstage equalizer	-6/-3/0 dB			
Flatness*	±0.75 dB			
Input and output return loss	> 14 dB at 40 MHz; -1.5 dB/oct., but not less 10 dB			
Output level CTB, CSO (EN50083-3)**	109 dBμV			
Noise figure	8 dB			
Test points attenuation	-20 dB			
<b>Return path</b>				
Frequency range	5 - 30 MHz	5-65 MHz	5 - 30 MHz	5-65 MHz
Gain, switchable	27/-4 dB			
Gain adjustment by 1 dB step	20 dB			
Input attenuator	-10/0 dB			
Output equalizer	-6/-3/0 dB			
Flatness	±0.75 dB			
Return loss	> 14 dB			
Noise figure	7 dB (active, 0 dB input attenuator)			
Maximal output level IMD3=60 dB (DIN45004B)	115 dBμV (active)			
<b>General</b>				
Power consumption	230 V~ 50 Hz 7.5 W		24-65 V~ 50 Hz 6.5 W	
Operating temperature range	-20° ÷ +50° C			
Dimensions/Weight (packed)	185x91x47 mm/ 0.7 kg			

\* measured 10 MHz after the starting frequency of forward path

\*\* at 862 MHz with 6 dB interstage equalizer, CENELEC raster, 42 channels

Plug-in attenuators for home amplifiers  
**HX207RXJ** should be ordered separately.



Type	Ordering number	Type	Ordering number
SXP-0	0 dB 20868	SXP-11	11 dB 20879
SXP-1	1 dB 20869	SXP-12	12 dB 20880
SXP-2	2 dB 20870	SXP-13	13 dB 20881
SXP-3	3 dB 20871	SXP-14	14 dB 20882
SXP-4	4 dB 20872	SXP-15	15 dB 20883
SXP-5	5 dB 20873	SXP-16	16 dB 20884
SXP-6	6 dB 20874	SXP-17	17 dB 20885
SXP-7	7 dB 20875	SXP-18	18 dB 20886
SXP-8	8 dB 20876	SXP-19	19 dB 20887
SXP-9	9 dB 20877	SXP-20	20 dB 20888
SXP-10	10 dB 20878		